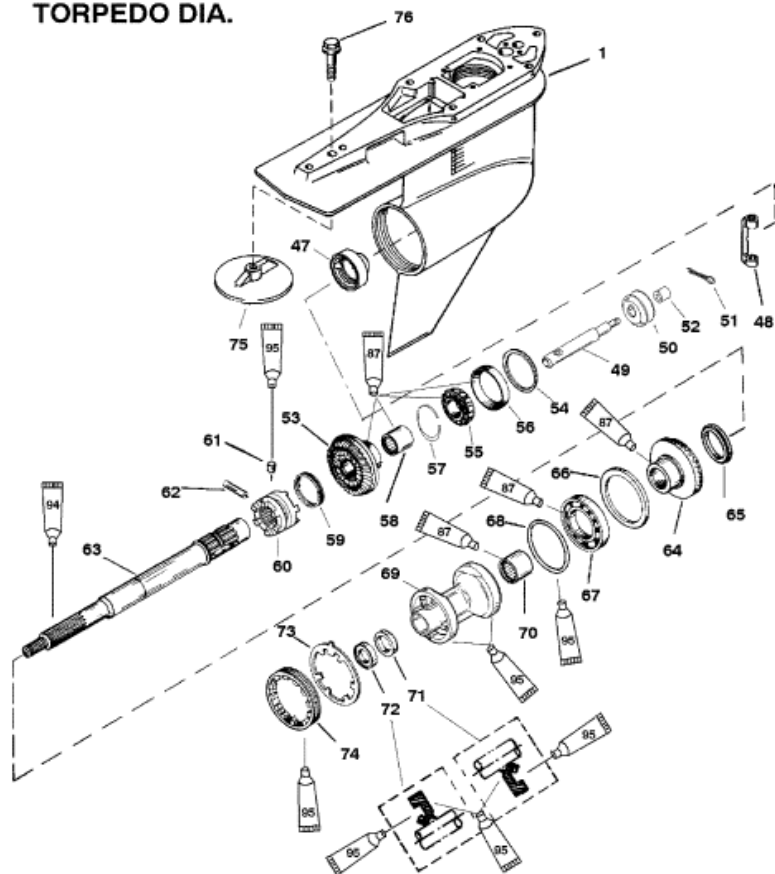
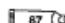

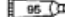


**4.75 IN/120.65MM  
 TORPEDO DIA.**



-  Belray 65413 Gear Oil (92-816026)
-  Anti-Corrosion Grease (92-78376-A6)
-  Chemtool Duralube Special (92-824501)

Parts List					
Ref	Class	Part	Description	Qty	Footnote
1	1623	859399T18	GEAR HOUSING (BASIC)	1	
47	22	859403	PLUG	1	
48		823903	SHIFT CRANK	1	
49		19755T 7	SHAFT	1	
50		NSS	SHIFT SPOOL	1	1
51	18	46950 1	COTTER PIN	1	
52		NSS	SLEEVE	1	1
53	43	859321A 3	FORWARD/PINION GEAR SET	1	(1.75:1 - 12/21)
53	43	828170A 2	FORWARD/PINION GEAR SET	1	(1.87:1 - 15/28)
54	15	44491A 1	SHIM SET	AR	3
55	31	30894A 1	TAPERED ROLLER BEARING	1	
56		NSS	CUP	1	1
57	53	856823	RETAINING RING	1	
58	31	30895T	ROLLER BEARING	1	
59	24	30893	SPRING	1	
60	52	859340T	SLIDING CLUTCH	1	
61	17	828356	DETENT PIN	1	
62	17	30632	CROSS PIN	1	
63	44	824110	PROPELLER SHAFT	1	
64	43	859322A 1	REVERSE GEAR	1	(1.75:1 - 12/21)
64	43	828171A 1	REVERSE GEAR	1	(1.87:1 - 15/28)
65	23	824108	THRUST SPACER	1	
66		68100 1	THRUST RING	1	
67	30	88957T	BALL BEARING	1	
68	25	31534	O RING	1	15
69		818763T11	BEARING CARRIER	1	
70	31	30956T	ROLLER BEARING	1	
71	26	14077	OIL SEAL (INSIDE)	1	15
72	26	76868	OIL SEAL (OUTSIDE)	1	15
73	14	18323	TAB WASHER	1	
74		79448	COVER	1	
75		<a href="#">76214Q 5</a>	ANODIC PLATE	1	
76	10	80632T	SCREW	1	
-	26	816575A 4	G/H SEAL KIT	1	